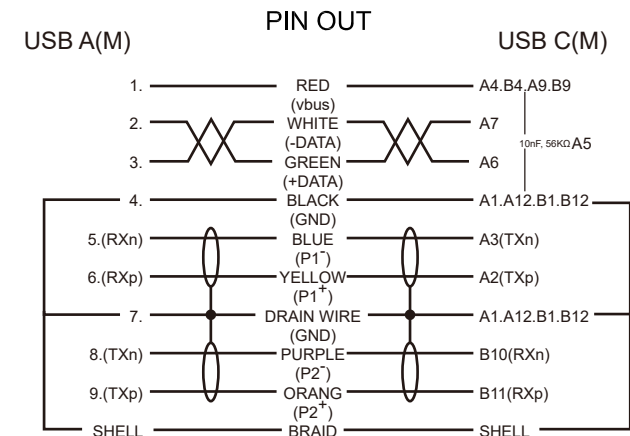
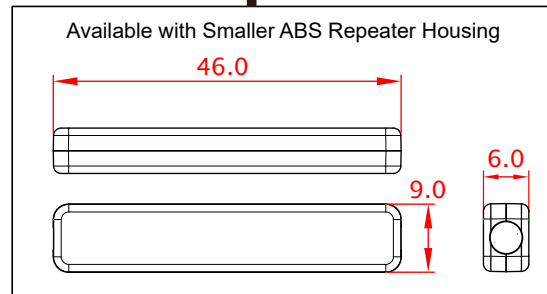


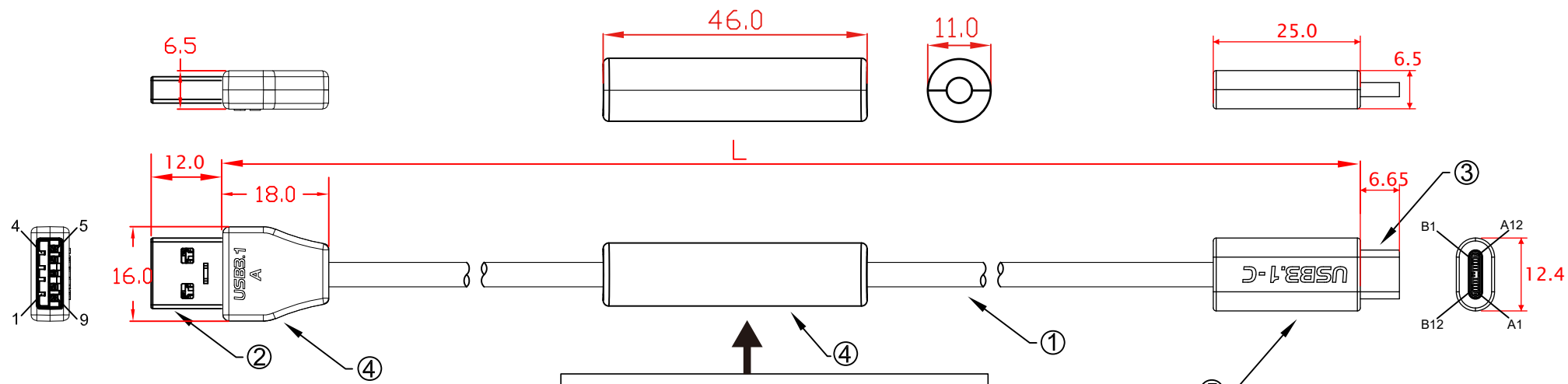
Operating Temperature: 0°C~70°C  
 Operating Humidity: 20%~80% (no condensation)  
 Storage Temperature: -25°C~85°C  
 Storage Humidity: 20%~80% (no condensation)

L:  
 CBL-43AU3.1G1XX-5m      5000mm±30mm



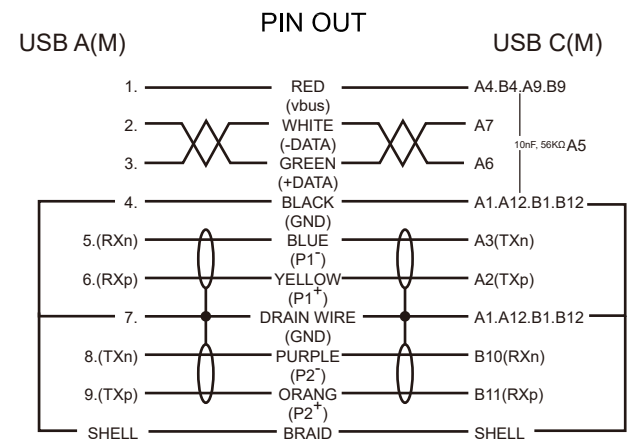
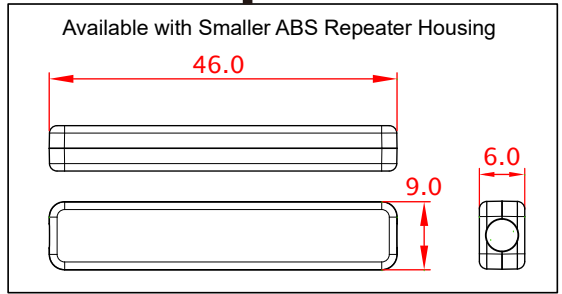
No	MATERIALS LIST:
1.	CABLE:UL20276 (1P*30SC#+D+AL+Mylar)*2C+1P*32#+1C*24 OD:4.3mm PVC JACKET COLOR:BLUE
2.	CONNECTOR:USB 3.0 A/M, 9P, BLUE INSULATOR SOLDER TYPE, NICKEL PLATED SHELL
3.	CONNECTOR:USB 3.1 TYPE-C, MALE, NICKEL PLATED SHELL
4.	ABS ASSEMBLY HOUSING,BLUE COLOR

Jargy part no.	Client part no.	Approved	SCALE	UNIT
CBL-43AU3.1G1XX-Xm				mm
Drawing Name		Drawn	Date	REV.
USB 3.1 GEN 1 A to C M/M				1.0



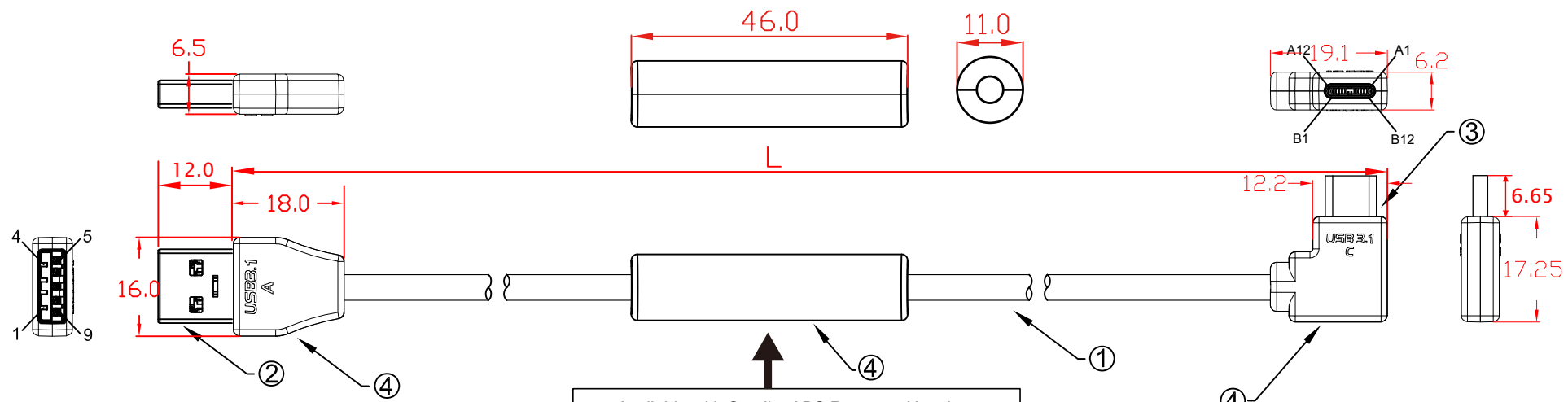
Operating Temperature: 0°C~70°C  
 Operating Humidity: 20%~80% (no condensation)  
 Storage Temperature: -25°C~85°C  
 Storage Humidity: 20%~80% (no condensation)

L:  
 CBL-43AU3.1G1XX-5m      5000mm±30mm



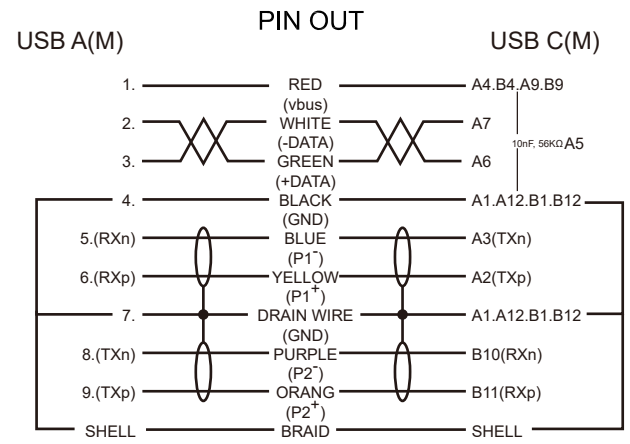
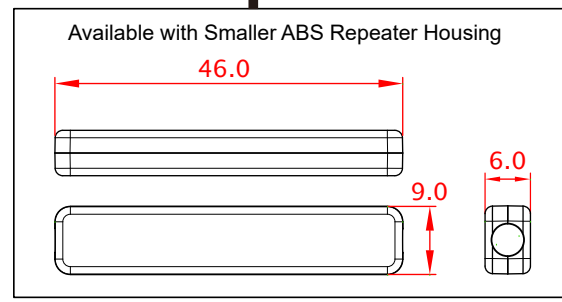
No	MATERIALS LIST:
1.	CABLE:UL20276 (1P*30SC#+D+AL+Mylar)*2C+1P*32#+1C*24 OD:4.3mm PVC JACKET COLOR:BLUE
2.	CONNECTOR:USB 3.0 A/M, 9P, BLUE INSULATOR SOLDER TYPE, NICKEL PLATED SHELL
3.	CONNECTOR:USB 3.1 TYPE-C, MALE, NICKEL PLATED SHELL
4.	ABS ASSEMBLY HOUSING,BLUE COLOR
5.	PVC MOLDED HOUSING, BLUE COLOR

Jargy part no.	Client part no.	Approved	SCALE	UNIT
CBL-43AU3.1G1XX-Xm				mm
Drawing Name		Drawn	Date	REV.
USB 3.1 GEN 1 A to C M/M				1.0



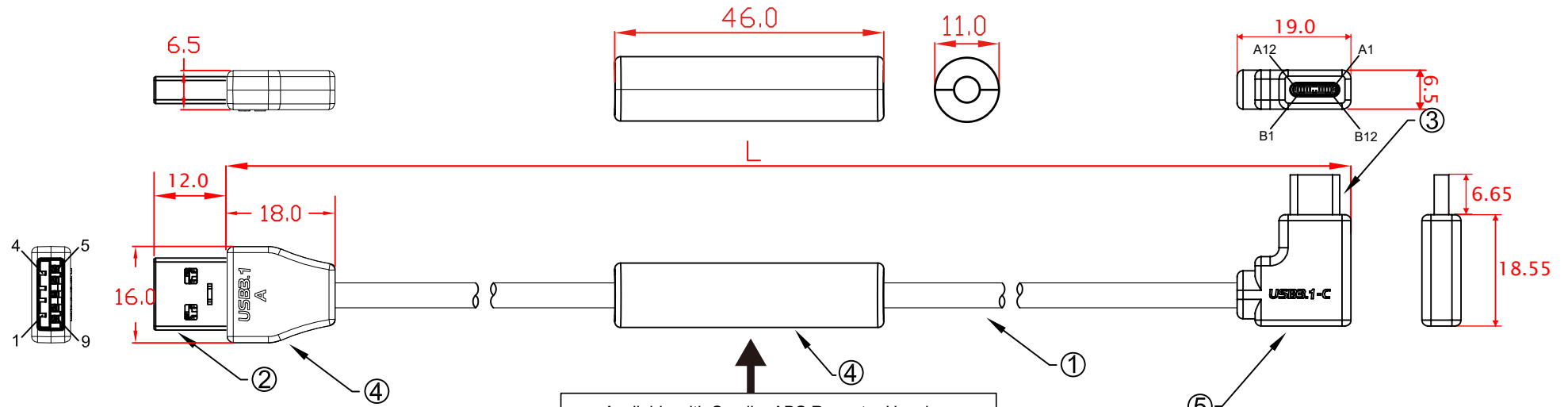
Operating Temperature: 0°C~70°C  
 Operating Humidity: 20%~80% (no condensation)  
 Storage Temperature: -25°C~85°C  
 Storage Humidity: 20%~80% (no condensation)

L:  
 CBL-43AU3.1G1XX-5mLRA      5000mm±30mm

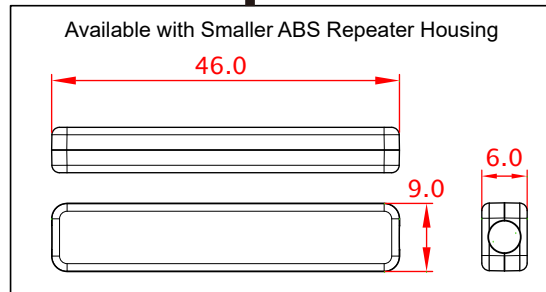


No	MATERIALS LIST:
1.	CABLE:UL20276 (1P*30SC#+D+AL+Mylar)*2C+1P*32#+1C*24 OD:4.3mm PVC JACKET COLOR:BLUE
2.	CONNECTOR:USB 3.0 A/M, 9P, BLUE INSULATOR SOLDER TYPE, NICKEL PLATED SHELL
3.	CONNECTOR:USB 3.1 TYPE-C, MALE, NICKEL PLATED SHELL
4.	ABS ASSEMBLY HOUSING,BLUE COLOR

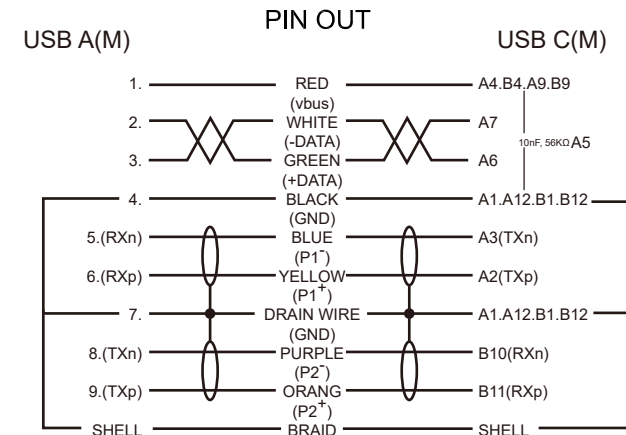
Jargy part no.	Client part no.	Approved	SCALE	UNIT
CBL-43AU3.1G1XX-XmLRA				mm
Drawing Name		Drawn	Date	REV.
USB 3.1 GEN 1 A to C M/M				1.0



Operating Temperature: 0°C~70°C  
 Operating Humidity: 20%~80% (no condensation)  
 Storage Temperature: -25°C~85°C  
 Storage Humidity: 20%~80% (no condensation)

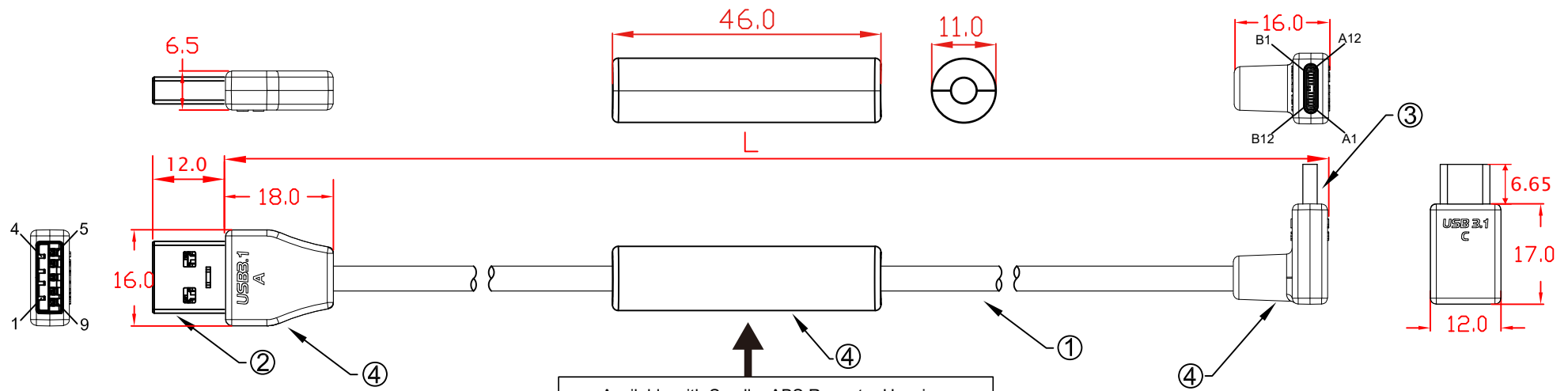


L: CBL-43AU3.1G1XX-5mLRA 5000mm±30mm

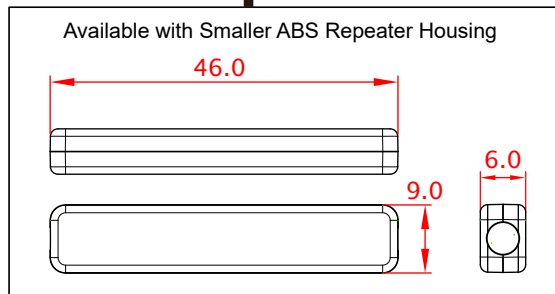


No	MATERIALS LIST:
1.	CABLE:UL20276 (1P*30SC#+D+AL+Mylar)*2C+1P*32#+1C*24 OD:4.3mm PVC JACKET COLOR:BLUE
2.	CONNECTOR:USB 3.0 A/M, 9P, BLUE INSULATOR SOLDER TYPE, NICKEL PLATED SHELL
3.	CONNECTOR:USB 3.1 TYPE-C, MALE, NICKEL PLATED SHELL
4.	ABS ASSEMBLY HOUSING,BLUE COLOR
5.	PVC MOLDED HOUSING, BLUE COLOR

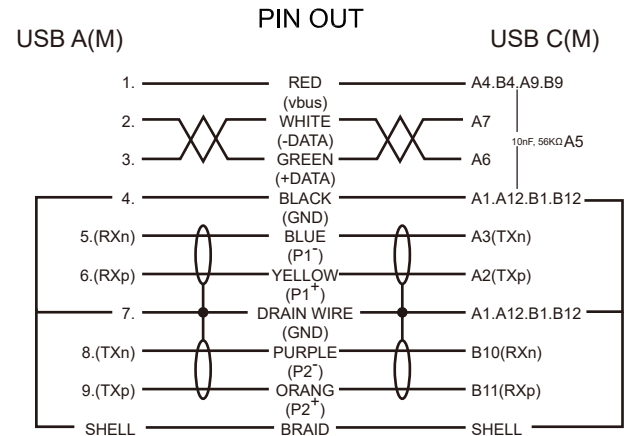
Jargy part no.	Client part no.	Approved	SCALE	UNIT
CBL-43AU3.1G1XX-XmLRA				mm
Drawing Name		Drawn	Date	REV.
USB 3.1 GEN 1 A to C M/M				1.0



Operating Temperature: 0°C~70°C  
 Operating Humidity: 20%~80% (no condensation)  
 Storage Temperature: -25°C~85°C  
 Storage Humidity: 20%~80% (no condensation)

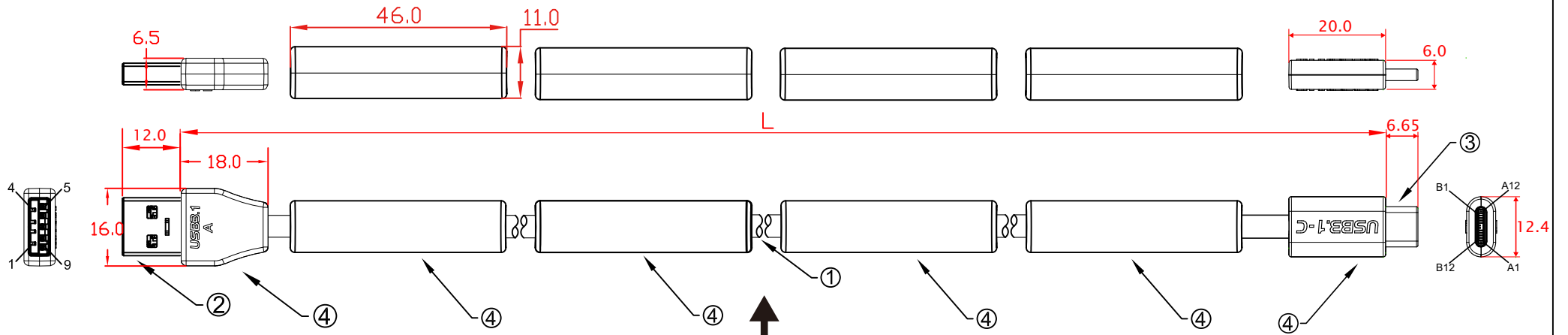


L: CBL-43AU3.1G1XX-5mUDA 5000mm±30mm

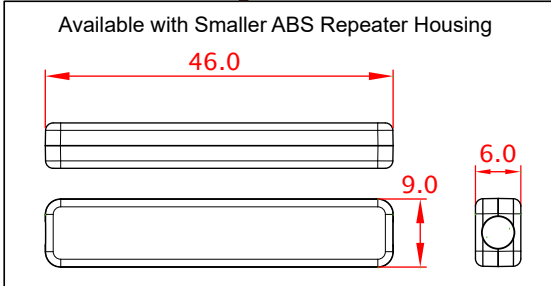


No	MATERIALS LIST:
1.	CABLE:UL20276 (1P*30SC#+D+AL+Mylar)*2C+1P*32#+1C*24 OD:4.3mm PVC JACKET COLOR:BLUE
2.	CONNECTOR:USB 3.0 A/M, 9P, BLUE INSULATOR SOLDER TYPE, NICKEL PLATED SHELL
3.	CONNECTOR:USB 3.1 TYPE-C, MALE, NICKEL PLATED SHELL
4.	ABS ASSEMBLY HOUSING, BLUE COLOR

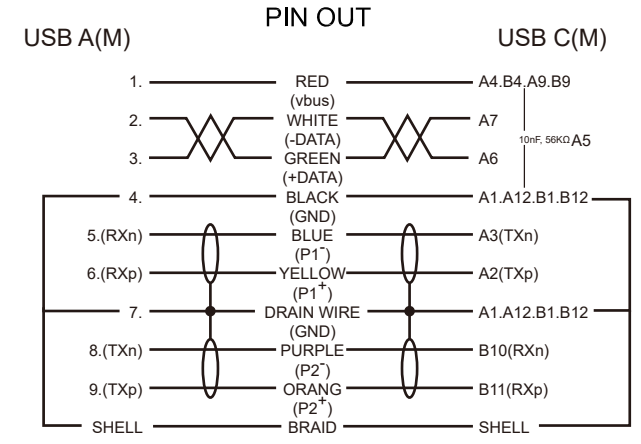
Jargy part no.	Client part no.	Approved	SCALE	UNIT
CBL-43AU3.1G1XX-XmUDA				mm
Drawing Name		Drawn	Date	REV.
USB 3.1 GEN 1 A to C M/M				1.0



Operating Temperature: 0°C~70°C  
 Operating Humidity: 20%~80% (no condensation)  
 Storage Temperature: -25°C~85°C  
 Storage Humidity: 20%~80% (no condensation)

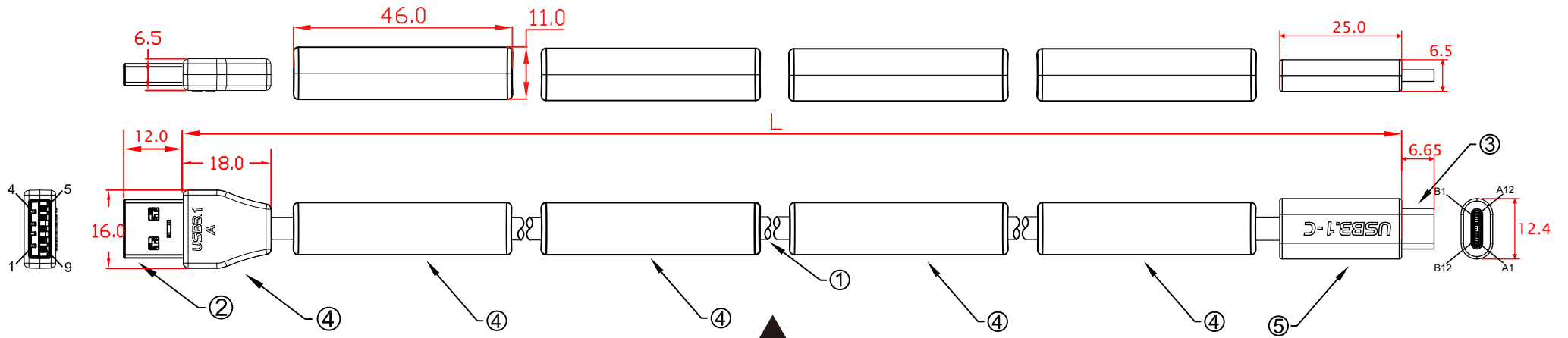


L:  
 CBL-43AU3.1G1XX-10m      10000mm±50mm



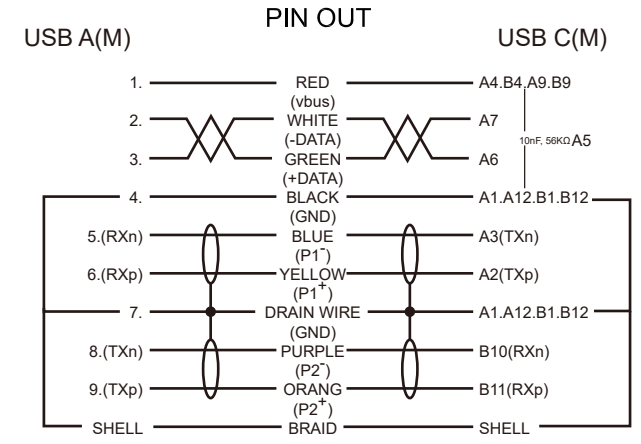
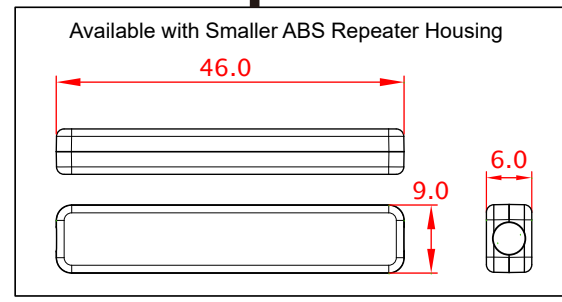
No	MATERIALS LIST:
1.	CABLE:UL20276 (1P*30SC#+D+AL+Mylar)*2C+1P*32#+1C*24 OD:4.3mm PVC JACKET COLOR:BLUE
2.	CONNECTOR:USB 3.0 A/M, 9P, BLUE INSULATOR SOLDER TYPE, NICKEL PLATED SHELL
3.	CONNECTOR:USB 3.1 TYPE-C, MALE, NICKEL PLATED SHELL
4.	ABS ASSEMBLY HOUSING,BLUE COLOR

Jargy part no.	Client part no.	Approved	SCALE	UNIT
CBL-43AU3.1G1XX-Xm				mm
Drawing Name		Drawn	Date	REV.
USB 3.1 GEN 1 A to C M/M				1.0



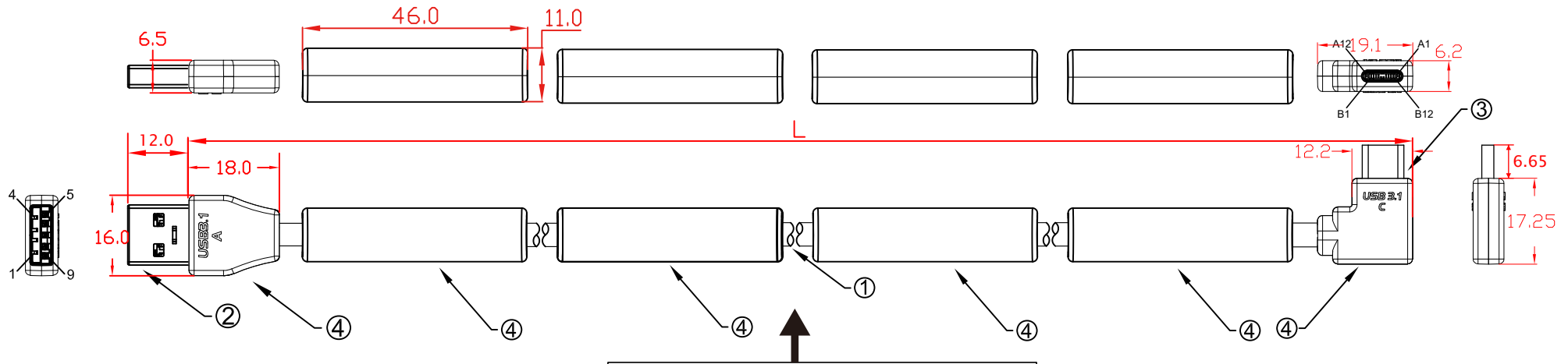
Operating Temperature: 0°C~70°C  
 Operating Humidity: 20%~80% (no condensation)  
 Storage Temperature: -25°C~85°C  
 Storage Humidity: 20%~80% (no condensation)

L:  
 CBL-43AU3.1G1XX-10m      10000mm±50mm

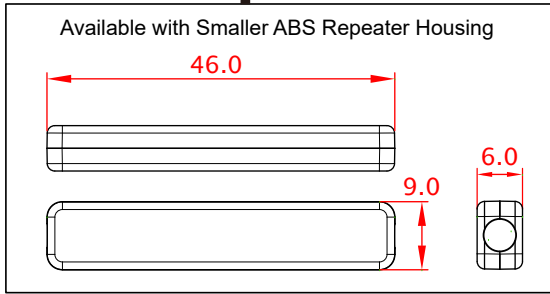


No	MATERIALS LIST:
1.	CABLE:UL20276 (1P*30SC#+D+AL+Mylar)*2C+1P*32#+1C*24 OD:4.3mm PVC JACKET COLOR:BLUE
2.	CONNECTOR:USB 3.0 A/M, 9P, BLUE INSULATOR SOLDER TYPE, NICKEL PLATED SHELL
3.	CONNECTOR:USB 3.1 TYPE-C, MALE, NICKEL PLATED SHELL
4.	ABS ASSEMBLY HOUSING,BLUE COLOR
5.	PVC MOLDED HOUSING, BLUE COLOR

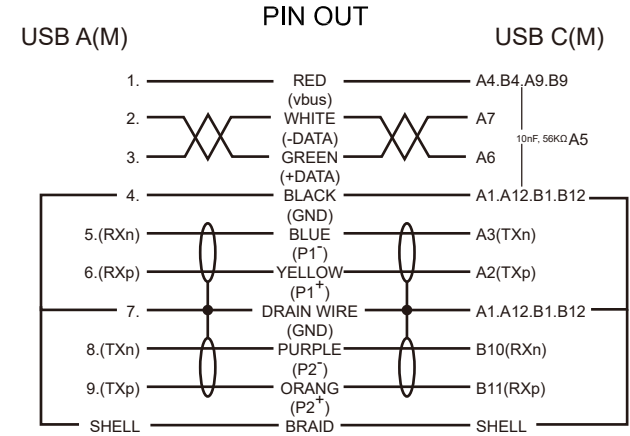
Jargy part no.	Client part no.	Approved	SCALE	UNIT
CBL-43AU3.1G1XX-Xm				mm
Drawing Name		Drawn	Date	REV.
USB 3.1 GEN 1 A to C M/M				1.0



Operating Temperature: 0°C~70°C  
 Operating Humidity: 20%~80% (no condensation)  
 Storage Temperature: -25°C~85°C  
 Storage Humidity: 20%~80% (no condensation)



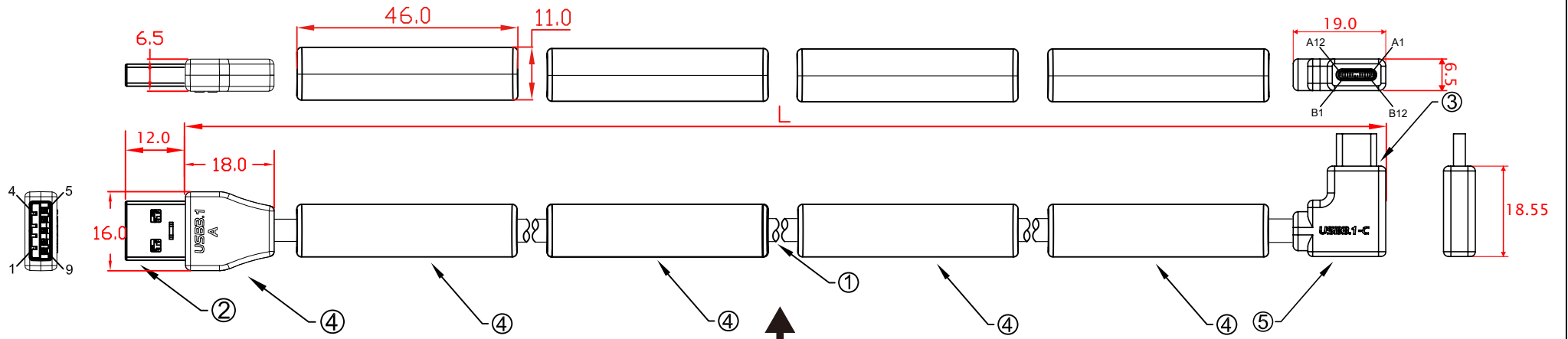
L:  
 CBL-43AU3.1G1XX-10mLRA 10000mm±50mm



No	MATERIALS LIST:
1.	CABLE:UL20276 (1P*30SC#+D+AL+Mylar)*2C+1P*32#+1C*24 OD:4.3mm PVC JACKET COLOR:BLUE
2.	CONNECTOR:USB 3.0 A/M, 9P, BLUE INSULATOR SOLDER TYPE, NICKEL PLATED SHELL
3.	CONNECTOR:USB 3.1 TYPE-C, MALE, NICKEL PLATED SHELL
4.	ABS ASSEMBLY HOUSING,BLUE COLOR

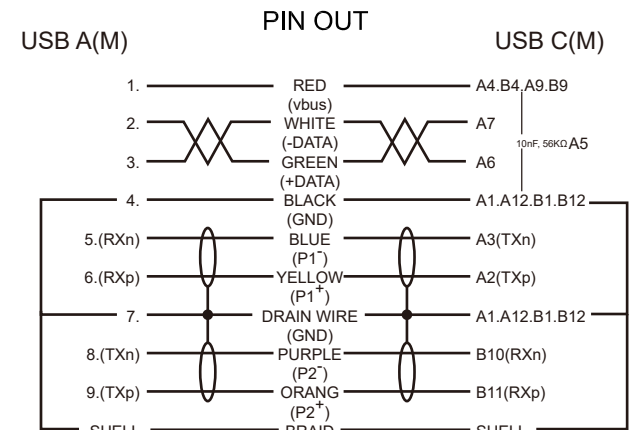
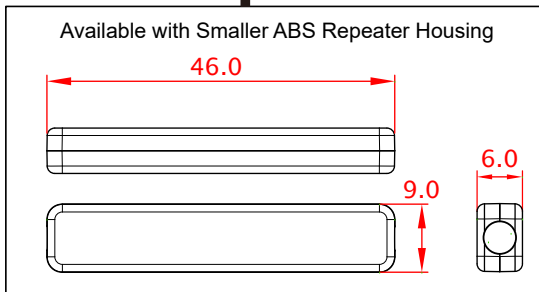
Jargy part no.	Client part no.	Approved	SCALE	UNIT
CBL-43AU3.1G1XX-XmLRA				mm
Drawing Name		Drawn	Date	REV.
USB 3.1 GEN 1 A to C M/M				1.0





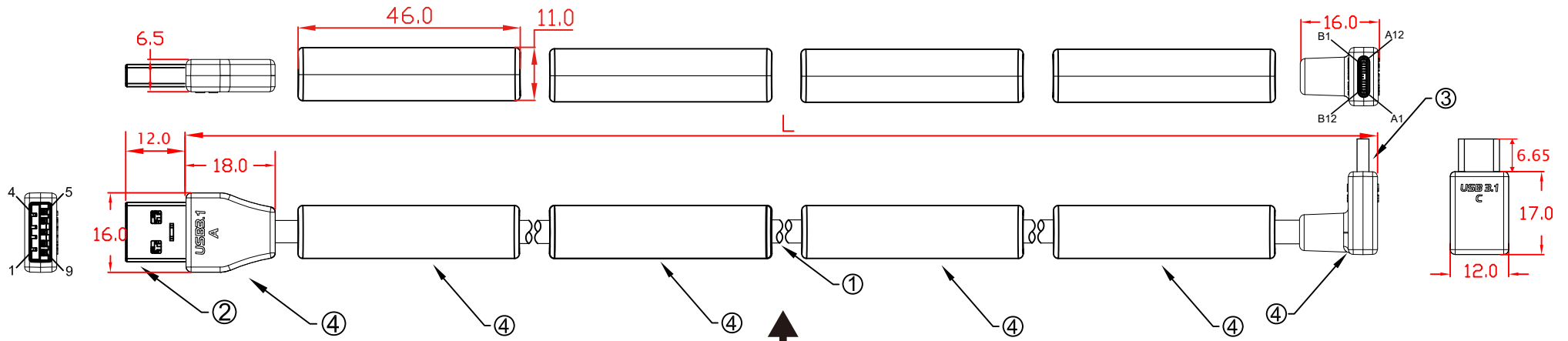
Operating Temperature: 0°C~70°C  
 Operating Humidity: 20%~80% (no condensation)  
 Storage Temperature: -25°C~85°C  
 Storage Humidity: 20%~80% (no condensation)

L:  
 CBL-43AU3.1G1XX-10mLRA 10000mm±50mm



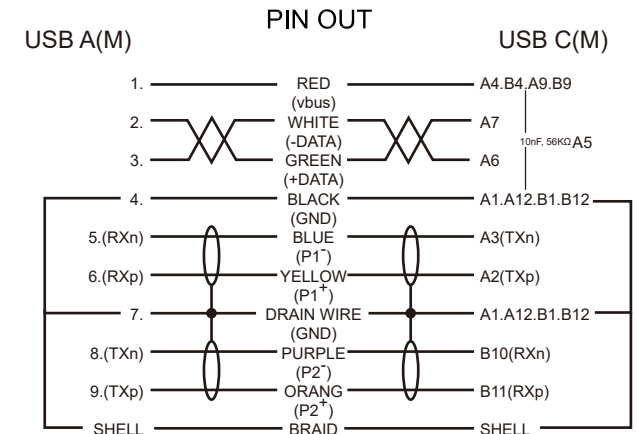
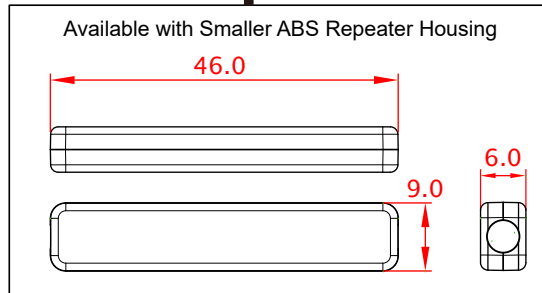
No	MATERIALS LIST:
1.	CABLE:UL20276 (1P*30SC#+D+AL+Mylar)*2C+1P*32#+1C*24 OD:4.3mm PVC JACKET COLOR:BLUE
2.	CONNECTOR:USB 3.0 A/M, 9P, BLUE INSULATOR SOLDER TYPE, NICKEL PLATED SHELL
3.	CONNECTOR:USB 3.1 TYPE-C, MALE, NICKEL PLATED SHELL
4.	ABS ASSEMBLY HOUSING, BLUE COLOR
5.	PVC MOLDED HOUSING, BLUE COLOR

Jargy part no.	Client part no.	Approved	SCALE	UNIT
CBL-43AU3.1G1XX-XmLRA				mm
Drawing Name		Drawn	Date	REV.
USB 3.1 GEN 1 A to C M/M				1.0



Operating Temperature: 0°C~70°C  
 Operating Humidity: 20%~80% (no condensation)  
 Storage Temperature: -25°C~85°C  
 Storage Humidity: 20%~80% (no condensation)

L: CBL-43AU3.1G1XX-10mUDA 10000mm±50mm



No	MATERIALS LIST:
1.	CABLE:UL20276 (1P*30SC#+D+AL+Mylar)*2C+1P*32#+1C*24 OD:4.3mm PVC JACKET COLOR:BLUE
2.	CONNECTOR:USB 3.0 A/M, 9P, BLUE INSULATOR SOLDER TYPE, NICKEL PLATED SHELL
3.	CONNECTOR:USB 3.1 TYPE-C, MALE, NICKEL PLATED SHELL
4.	ABS ASSEMBLY HOUSING,BLUE COLOR

Jargy part no.	Client part no.	Approved	SCALE	UNIT
CBL-43AU3.1G1XX-XmUDA				mm
Drawing Name		Drawn	Date	REV.
USB 3.1 GEN 1 A to C M/M				1.0